



HAZARDOUS AREAMASTER™ GENERATION 2 HL LED

- Three lumen outputs provide up to 38,000 lumens.
- Choice of optics for optimal light distribution in a variety of applications.
- Separate field wiring compartment with screw terminal block for easy and secure connection (can accept UL/CSA 26-10AWG).
- Two ¾" NPT entries provided.
- Yoke bracket is designed to accommodate traditional Areamaster brackets and slipfitters for easy retrofit.
- Choice of color temperature (CCT); 5000K cool white or 3000K warm white.
- Rugged and compact housing with superior thermal design translates to long luminaire life.
- Heavy duty, high temperature silicone rubber gaskets.
- Thermal shock and impact resistant clear or frosted glass lens.
- Standard 6KV surge protection.
- Captive fasteners secure one piece lens.
- Field replaceable LED driver and lens cover.

SUITABLE LOCATIONS

- Enclosed and gasketed fixtures suitable for use in:
 - A wide range of industrial, chemical processing and other areas where flammable gases and vapors are present, for example
 - Oil and Gas Refineries
 - Petrochemical Plants
 - Foundries
 - Drilling Rigs
 - Pulp and Paper Mills
 - Food and Beverage Processing Facilities
 - Loading Docks
 - Power Plants
 - Water and Wastewater Treatment Facilities
 - Other areas where corrosive, wet, dirty and tough environments are a problem
- IP66/IP67, Type 4X, marine and wet locations
- Locations requiring dependable, consistent lighting in extreme hot/cold temperature environments.
 - 40 °C to +65 °C (-40 °F to +149 °F) ambient temperature range

STANDARD MATERIALS

- Housing and lens door: copperfree (4/10 of 1% max.) aluminum
- Gaskets: silicone rubber
- Yoke: zinc plated HR steel
- Bolts: stainless steel
- Close up plugs: (1) aluminum provided
- Guard and safety cable: stainless steel
- Visor: Aluminum

STANDARD FINISHES

- Housing, lens cover and yoke mount: architectural bronze polyester

OPTIONS

- Improved safety cable design with multiple retention points, purchase separately
- Guard and visor available, purchase separately
- Slip-fitters and mounting brackets available for easy pole or wall mounting
- 10KV Surge Protection

RELATED PRODUCTS

- Round Tapered Steel Poles
- Hinged Steel Poled
- Square Tapered Steel Poles
- Square Steel Poles
- Floodlight Mounting Brackets

NEC/CEC RATINGS

- Class I, Division 2, Groups A, B, C, D
- Class I, Zone 2 Group IIC
- Class II, Division 1 and 2, Groups E, F, G
- Class III
- Zone 20 and 21 Group IIIC
- Zone 22, Group IIIB
- Simultaneous Exposure
- Marine Outside Type (Salt Water) for USA ONLY
- Wet Locations
- Type 3R, 4, 4X, IP66/67
- cCSAus: 164460 Certificate Number: 70073613

ATEX/IECEx CERTIFICATIONS AND COMPLIANCES

- Certification Type: Areamaster High Lumen
 - Gas: Zone 2
 - Type of Protection: Ex ec IIC Gc
 - Temperature Class: T4 to T3
 - Dust: Zone 22
 - Type of Protection: Ex tc IIIC Dc
 - Surface Temperature: +85°C to +100°C (+185°F to +212°F)
- Ambient Temperature: -40°C up to +65°C (-40°F up to +268 °F)
- ATEX Certificate: SIRA 17ATEX3241
- IECEx Certificate: IECEx SIR 17.0079
- Index of Protection according EN/IEC 60529: IP66
- Impact Resistance (shock): IK10
- Photobiological Safety, IEC 62778 and IEC 62471: RG0

DESIGNLIGHTS™ CONSORTIUM

- All models

APPLETON™


EMERSON™

CONSIDER IT SOLVED.™

PRODUCT ORDERING GUIDE | AREAMASTER™ GENERATION 2 HL LED

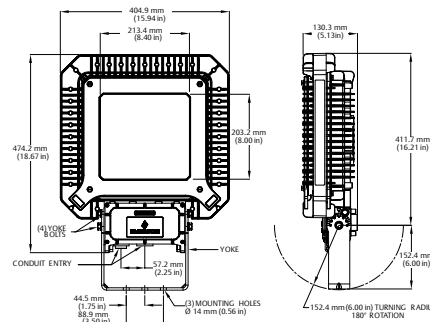
AMLH Series: AMLH: Areamaster 2 HL LED Series	L1 Lumen Level ①: L1 - 24K L2 - 30K L3 - 38K	C Color Temp CCT: C - 5000K W - 3000K ①	G Diffusion: G - Clear Glass F - Frosted Glass ②	Z Beam Spread 3 - 3x3 5 = 5x5 6 = 7x7 (non-optic) 7 = 7X6	BU Voltage: BU = 120V-277 Vac 50/60 Hz, 170-300Vdc BH = 347-480 Vac 50/60 Hz ②	S Options: F - Fusing ③ S - 10 KV Surge Protection ④ M - M20 Metric
--	---	---	--	---	--	--

- ① 3000K CCT (warm) is not available with NEMA 7x7 light pattern
- ② Frosted Glass is only available with NEMA 7x7 light pattern
- ③ Use of fuse voids Marine rating. Fusing not available for NEC/CEC.
- ④ All lumen values are typical (tolerance +/-10%).
- ⑤ BH voltage available for NEC/CEC only.
- ⑥ 10 KV Surge Protection available for NEC/CEC only.

	AMLHL1	AMLHL2	AMLHL3
Equivalent to HPS/PSMH	1000 Watt	1000-1500 Watt	1500 Watt
Input Power	180 Watt	225 Watt	310 Watt
Voltage Range	BU	120-277 Vac, 50/60 Hz, 170-300 Vdc	
	BH ②	347-480 Vac, 50/60 Hz	
Luminous Flux (Efficacy) ① for 5000K Clear	7x7	23,500 (131)	30,100 (134)
	7x6	22,700 (126)	28,100(125)
	5x5	24,100 (134)	30,000 (133)
Correlated Color Temperature (CCT)	3000K/5000K		
Color Rendering Index (CRI)	80/70		
Ambient Temperature	-40 °C to +65 °C (-40 °F to +149 °F)		
T Rating NEC/CEC Class I Division 2	T4 @ +65°C (+149°F)	T3C @ +65 °C (+149 °F)	T3C @ +55 °C (+131 °F)
T Rating ATEX/IECEx Zone 2	T4 @ +65°C (+149°F)	T3 @ +65°C (+149°F)	T3 @ +55°C (+131°F)
Luminaire Weight	16.1 kg (35.4 lb)	16.1 kg (35.4 lb)	16.1 kg (35.4 lb)
Standard Materials	Housing: copperfree aluminum		
	Finish: architectural bronze polyester		
	Lens: thermal shock- and impact-resistant glass or optional frosted glass		
Lifetime	>100,000 hours @ +40 °C (+104 °F) ambient temperature		
	>60,000 hours @ +65°C (+149 °F) ambient temperature		
Warranty	5 years standard; 10 years for models with secondary optic and extra surge protection		

① All values typical +/-10%. ② BH voltage available for NEC/CEC only

Luminaire Category	Image	Effective Projected Area (EPA) = FPA * DC m² (ft²)
90° to Ground-Worst Case Mounting		0.75 (2.45)
45° to Ground-Standard Mounting		0.50 (1.73)



Photometric Data		
5x5 	7x6 	7x7
----- 10 fc --- 1 fc ----- 5 fc --- 0.5 fc ----- 2 fc --- 0.2 fc ----- 1 fc --- 0.1 fc	----- 5 fc --- 0.5 fc ----- 2 fc --- 0.2 fc ----- 1 fc --- 0.1 fc	----- 5 fc --- 0.5 fc ----- 2 fc --- 0.2 fc ----- 1 fc --- 0.1 fc

Note: 1 FC = 10.8 Lux